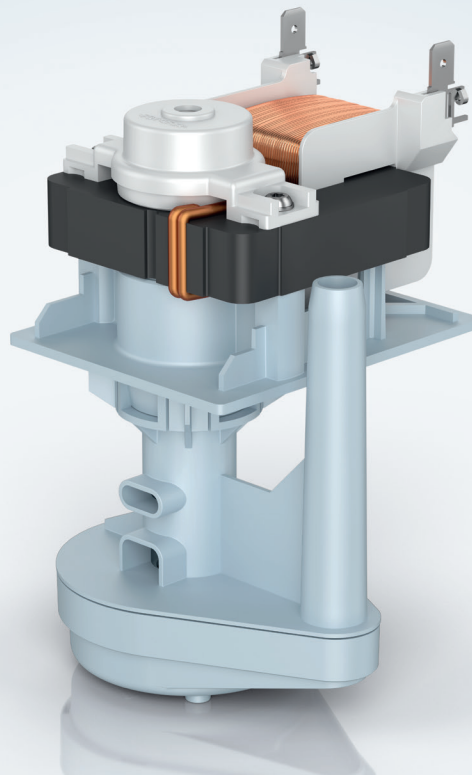


PumpMax.

Bye-bye liquid!
The condensate pump for dryers.

ebmpapst

the engineer's choice



Benefits:

- + Simple handling**
Especially designed for low water levels
Immediately aspirating / no de-aeration operation necessary
- + High hydraulic efficiency**
Fast and reliable pumping
- + Flexible installation**
Variable positioning of the tube
Versatile mounting options
Easy integration into customer mounting frame

Pumps even at low water levels.

PumpMax is especially designed for low water levels and therefore ideal for clothes dryers. But also in refrigerators and air conditioners or generally in applications where condensate accumulates, the pump can score with its efficient hydraulics and flexible design.

| | | |
|---|---------|---------------------------------|
| Voltage | V | 230 |
| Frequency | Hz | 50 |
| Input power | W | 17 bzw. 21 |
| Pump output Delivery height 1,0 m and water level 10 mm | l / min | 0,5 - 1,5 resp. 1,5 - 2,5 |
| Insulation class | | H |
| Ingress protection for motor | | IP00 |
| Protection class | | Class I |
| Certification | | CE |



ebm-papst Landshut GmbH

Hofmark-Aich-Str. 25 · 84030 Landshut · Germany · Phone +49 871 707-0 · Fax +49 871 707-465 · hap@de.ebmpapst.com